

The 24P is designed to be an all purpose measurement/inspection instrument capable of performing both light and heavy duty tasks. Choose any lens system to customize this machine to match your requirements.

## FEATURES:

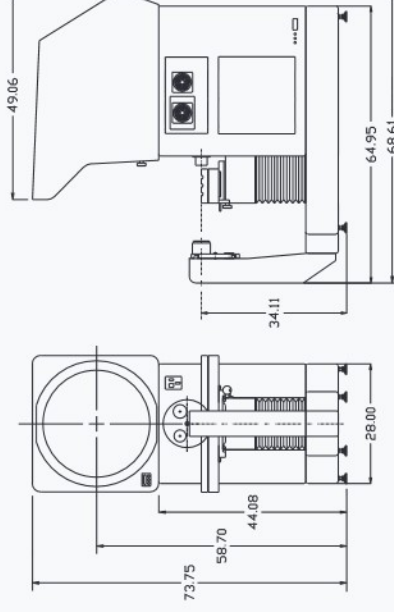
- ✓ 24" (600mm) Vertical screen for optimum viewing
- ✓ Erect and reversed profile image
- ✓ High resolution ground glass screen with calibration reticle, 90 degree cross lines
- ✓ Machined chart ring with vernier protractor, 1 minute graduation, and chart clips
- ✓ Coated telecentric parfocal optics
- ✓ 3 position rotary lens & condenser turret (4 position optional)
- ✓ Quartz halogen profile light source 24V, 150W
- ✓ Bright 250W fiber optic surface illumination
- ✓ Solid cast iron, nickel plated stage
  - > Triple universal dovetails accommodate wide range of fixtures
  - > 36" x 8" (914x200mm)overall size
  - > Crossed roller bearings for superior performance
  - > 500 lbs capacity
  - > 24"(610mm) X-axis motorized travel
  - > 10" (250mm)Y-axis motorized travel
  - > 3" Motorized focus travel
  - > Linear scale resolution 0.00025mm/.00001"
  - > ±15 degree true parfocal helix stage adjustment, with 5 minute vernier
  - > Joystick control, computerized microstep motor controller with X and Y axes & focus
- ✓ ww hood
- ✓ NIST traceable calibration certificate
- ✓ 2 Year limited warranty

## OPTIONAL FEATURES:

- ✓ Internal edge detection
- ✓ Nikon optics
- ✓ Output for electronic rotary screen protractor (Q-axis) with selectable 1 minute or 1/100 of a degree resolution
- ✓ Choice of readout options, see pages 11-13
- ✓ CNC computer controlled readout systems
- ✓ Extra bright through lens surface illumination with Nikon lens option
- ✓ Harsh Environment package
- ✓ Wide selection of lenses
- ✓ Extended hood & curtains
- ✓ Tooling



## DIMENSIONS



## Technical Specification

illumination	Profile: Built-in 24V/150W direct collimated halogen Surface: Built-in 24V/250W via fiber optics
Screen Size	24" (600mm) Ground glass with cross-lines
Stage	Cast iron, nickel plated, 36" x 8", triple dovetails
Stage Travel	X = 24" (610mm), Motorized Y = 10" (250mm), Motorized Focus = 3" (75mm), Motorized
Stage Accuracy	Within +/- 0.004mm $\pm$ (L/20), 001
Linear Scale Resolution	Standard: 0.00025mm/.000010"
Repeatability of Scales	+/- 1 Scale count (0.0005mm/.00002")
Coated Telecentric Lenses	5x, 10x, 20x, 31.25x, 25x, 50x, 62.5x, 100x, 200x
Optical Accuracy	Within +/- .10% Profile, +/- .15% Surface
Power Requirements	120V or 240V AC, 50/60 Hz, 10 Amp
Weight	1980 lbs/898 kg