

MODEL 32P HORIZONTAL BEAM

www.dorseymetrology.com

The 32P was designed with crisp, clear telecentric optics and a precision solid cast iron stage to be an instrument capable of handling almost any measurement/inspection requirement. This welded steel fabrication assures years of accurate, trouble free service.

FEATURES:

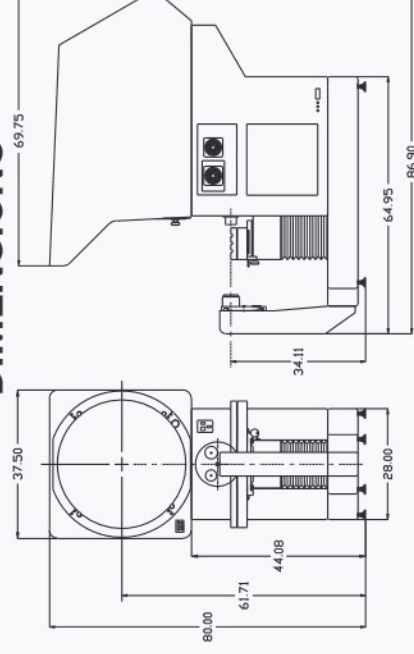
- ✔ 32" (800mm) Vertical screen for optimum viewing
- ✔ Erect and reversed profile image
- ✔ High resolution ground glass screen with calibration reticle, 90 degree cross lines
- ✔ Machined chart ring with vernier protractor, chart clips, 1 minute graduation facilitates optimal alignment
- ✔ Coated telecentric parfocal optics
- ✔ 3 position rotary lens & condenser turret
- ✔ Quartz halogen profile light source 24V, 150W
- ✔ Bright 500W fiber optic surface illumination
- ✔ Linear Scale Resolution 0.00025mm/.00001"
- ✔ Solid cast iron, nickel plated stage
 - > Triple universal dovetails accommodate a wide range of fixtures
 - > 36" x 8" (914x200mm) Overall size
 - > Solid crossed roller stage bearings
 - > 500 lbs capacity
 - > 24" (610 mm) X-axis motorized travel
 - > 10" (250mm) Y-axis motorized travel
 - > 3" Motorized focus axis
- ✔ ±15 Degree true parfocal helix stage adjustment with 5 minute vernier
- ✔ Joystick control, computerized microstep motor controller with X and Y axes & focus
- ✔ Integrated hood
- ✔ NIST traceable calibration certificate
- ✔ 2 Year limited warranty

OPTIONAL FEATURES:

- ✔ Internal edge detection
- ✔ Output for electronic rotary screen protractor (Q-axis) with selectable 1 minute or 1/100 of a degree resolution
- ✔ Choice of readout options, see pages 11-13
- ✔ CNC computer controlled readout systems
- ✔ Harsh Environment package
- ✔ Extended hood & curtains
- ✔ Wide selection of lenses
- ✔ Tooling



DIMENSIONS



Technical Specification

Illumination	Profile: Built-in 24V/150W direct collimated halogen Surface: Two built-in 24V/250W via fiber optics
Screen Size	32" (800mm) Ground glass with cross-lines
Stage	Cast iron, nickel plated, 36" x 8", triple dovetail
Stage Travel	X = 24" (610mm), Motorized Y = 10" (250mm), Motorized Focus = 3" (75mm), Motorized
Stage Accuracy	Within +/- 0.004mm \pm (L/20).001"
Linear Scale Resolution	Standard: 0.00025mm/.000010"
Repeatability of Scales	+/- 1 Scale count (0.00025mm/.000010")
Coated Telecentric Lenses	5x, 10x, 20x, 25x, 31.25x, 50x, 62.5x, 100x
Optical Accuracy	Within +/- .10% Profile, +/- .15% Surface
Power Requirements	120V or 240V AC, 50/60 Hz, 10 Amp
Weight	3950 lbs/1792 kg