



V Series Height Gages



Simplicity

The Fowler Trimos V vertical measuring instruments have been developed for the most difficult workshop environments. Manufactured in their entirety in Switzerland, they guarantee a robust, precise and reliable product in the long run.

- Measuring ranges 400mm, 700mm and 1100mm
- Extremely easy to use
- High contrast display with user friendly functions allows easy viewing from any direction
- Electronically adjustable measuring force 0.75/1.5 (N)
- Vast range of accessories
- All adjustments possible without tools
- Cast iron base for optimal stability
- RS232 and USB interfaces with available Bluetooth option
- Air cushion (on all models except V3)
- Dual probe holders (on all models except V3)
- Carriage displacement: Manual
(V5 – V9 includes selectable manual or motorized carriage displacement)
- V8 featuring fine adjustment for specific applications
- Measures heights, diameters, perpendicularity, centerlines, Min/Max/Delta
- Accessory measuring probes up to 340mm in length available and provide excellent repeatability



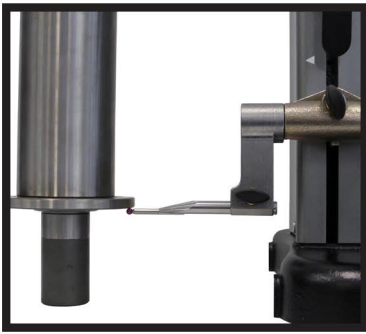
All V Models Include:

- Charging unit
- Measuring insert with ruby ball (Ø4mm)
- Probe holder elbow (Ø8mm)
- Setting gage
- User's manual
- Test certificate

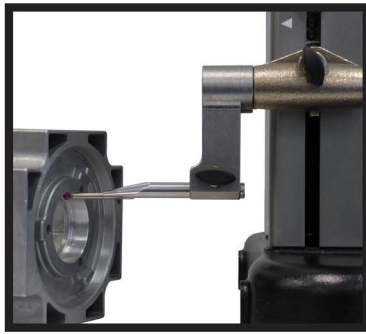
Along with higher accuracy and repeatability, the V7 and V9 models also offer 2D hole pattern measurements, programming, and statistics.



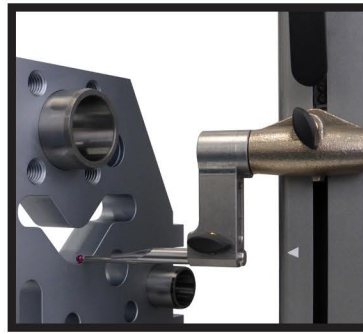
Applications and Functionalities



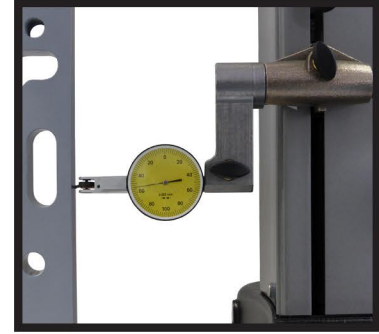
Height Measurements
Height, thickness and chain of dimensions measurements



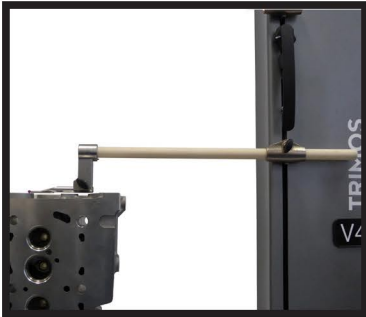
Diameter Measurements
Simultaneously displays diameter and centerline



Min/Max/Delta
Easy detection of min, max points or flatness of a surface



Perpendicularity
All instruments are mechanically corrected for squareness



Long Probes
Standard measuring inserts up to 340mm, offer excellent repeatability



Accessories
Very large range of accessories for any type of measurement



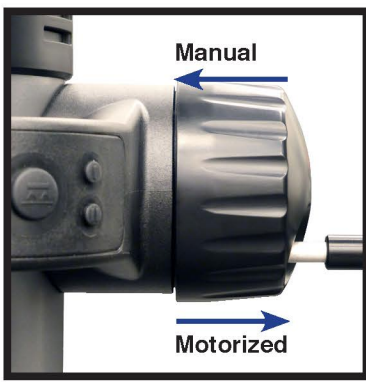
User-Friendly Functions
Straightforward symbols and directly accessible functions



Maximum Contrast
Easy reading in any lighting thanks to the "Black Mask" display V3—V6



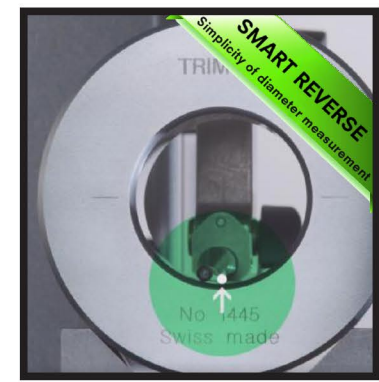
Fine Adjustment (V8 only)
Fine adjustment for specific applications requiring an accurate carriage position



Selectable Carriage Displacement
V5—V9 models include selectable manual or motorized carriage displacement



Adjustable in Every Direction
The touch screen display on the V7 and V9 models offers an ease of use never reached yet on a vertical measuring instrument. The menus and functions displayed conform to a very strict philosophy and design. This allows a great efficiency, even in complex tasks such as programming, 2D mode, angle measurements or statistical analysis of results.



Smart Reverse Technology
V7—V9 models
Optimizes diameter measurements

Watch the Demo!
YouTube



Measurement Supply
Call: (888) 502-0220
email: info@measurementsupply.com



V3	54-192-340-0	54-192-370-0
Measuring Range	16"/407mm	28"/711mm
Range with Probe inverted	20"/508mm	31.9"/812mm
Max. Permissible Errors	0.00032"/0.008mm	0.00032"/0.008mm
Frontal Squareness Deviation	0.0004"/0.010mm	0.0006"/0.015mm
Resolution	0.00005"/0.001mm	
Repeatability (2s)	0.00008"/0.002mm (Ø 0.00016"/0.004mm)	
Air Cushion	NO	
Battery life	40 hours	

V4	54-191-440-0	54-191-470-0
Measuring Range	16"/407mm	28"/711mm
Range with Probe inverted	28.3"/719mm	40.2"/1023mm
Max. Permissible Errors	0.0002"/0.005mm	0.00028"/0.007mm
Frontal Squareness Deviation	0.0004"/0.010mm	0.0006"/0.015mm
Resolution	0.00005"/0.001mm	
Repeatability (2s)	0.00008"/0.002mm (Ø 0.00016"/0.004mm)	
Air Cushion	YES	
Battery life	20 hours	

V5	54-199-540-0	54-199-570-0	54-199-590-0
Measuring Range	16"/407mm	28"/711mm	43.7"/1110mm
Range with Probe inverted	28.3"/719mm	40.2"/1023mm	56"/1422mm
Max. Permissible Errors (µm)	2.5 + L(mm)/300		
Frontal Squareness Deviation	0.0002"/0.005mm	0.00032"/0.008mm	0.00043"/0.011mm
Resolution	0.00005"/0.001mm		
Repeatability (2s)	0.00008"/0.002mm (Ø 0.00016"/0.004mm)		
Air Cushion	YES		
Battery Life	12 hours		

V6	54-199-640-0	54-199-670-0	54-199-690-0
Measuring Range	16"/407mm	28"/711mm	43.7"/1110mm
Range with Probe inverted	28.3"/719mm	40.2"/1023mm	56"/1422mm
Max. Permissible Errors (µm)	2 + L(mm)/400		
Frontal Squareness Deviation	0.0002"/0.005mm	0.00032"/0.008mm	0.00043"/0.011mm
Resolution	0.00005"/0.001mm		
Repeatability (2s)	0.00008"/0.002mm (Ø 0.00016"/0.004mm)		
Air Cushion	YES		
Squareness Probe	YES		
Accessory Available			
Battery Life	12 hours		

V7	54-199-740-0	54-199-770-0	54-199-790-0
Measuring Range	16"/407mm	28"/711mm	44"/1110mm
Range with Probe inverted	28"/719mm	40"/1023mm	56"/1422mm
Max. Permissible Errors (µm)	2 + L(mm)/400		
Frontal Squareness Deviation	0.0002"/0.005mm	0.00032"/0.008mm	0.00043"/0.011mm
Resolution	0.00001"/0.0001mm		
Repeatability (2s)	0.00002"/0.0005mm (Ø 0.00004"/0.001mm)		
Air Cushion	YES		
Squareness Probe	YES		
Accessory Available			
Battery Life	12 hours		

V8 with Fine Adjustment	54-199-840-0	54-199-870-0	54-199-890-0
Measuring Range	16"/406mm	28"/710mm	43"/1109mm
Range with Probe inverted	28"/724mm	40"/1028mm	56"/1427mm
Max. Permissible Errors (µm)	1.2 + L(mm)/1000		
Frontal Squareness Deviation	0.0002"/0.005mm	0.00032"/0.008mm	0.00043"/0.011mm
Resolution	0.00001"/0.0001mm		
Repeatability (2s)	0.00002"/0.0005mm (Ø 0.00004"/0.001mm)		
Air Cushion	YES		
Squareness Probe	YES		
Accessory Available			
Battery Life	12 hours		

V9	54-199-940-0	54-199-970-0	54-199-990-0
Measuring Range	16"/406mm	28"/710mm	43"/1109mm
Range with Probe inverted	28"/724mm	40"/1028mm	56"/1427mm
Max. Permissible Errors (µm)	1.2 + L(mm)/1000		
Frontal Squareness Deviation	0.0002"/0.005mm	0.00032"/0.008mm	0.00043"/0.011mm
Resolution	0.00001"/0.0001mm		
Repeatability (2s)	0.00002"/0.0005mm (Ø 0.00004"/0.001mm)		
Air Cushion	YES		
Squareness Probe	YES		
Accessory Available			
Battery Life	12 hours		



No. 54-199-106-0



No. 54-199-105-0



No. 54-199-400-0

Part Number	Description
Probe Sets	
54-199-105-0	21 pc. Micro Probe Set
54-199-106-0	16 pc. Macro Probe Set
54-199-107-0	7 pc. Economy Probe Set
Accessories	
54-199-400-0	300mm probe holder (for 8mm probes)
54-199-022-BT	Bluetooth module
54-115-246-BT	Bluetooth receiver
54-777-120-0	Vmux software - for connecting multiple units to one PC



No. 54-199-022-BT



No. 54-115-246-BT

